

LV HRC fuse element, with screw contacts, NH4, In: 1000 A, gG, Un AC: 500 V, Un DC: 400 V, Front indicator, live grip lugs



Model	
Product brand name	SETRON
Product designation	LV HRC fuse link
Design of the product	With screw contacts
Design of an identification indicator	Front indicators
Design of the switching contact	Non-corroding, silver-plated
Design of the fuse link	LV HRC fuse link
General technical data	
Size of fuse system / acc. to DIN EN 60269-1	NH4
Operating class of the fuse link	gG
circuit-breaker / Design	3NA3
Type of voltage	AC/DC
Current / at AC / rated value	1 000 A
Supply voltage	
• at AC / rated value	500 V
• at DC	440 V
Protection class	
Protection class IP	IP20, with connected conductors

Switching capacity

Switching capacity current

- at DC / acc. to IEC 60947-2 / rated value 25 kA
- acc. to IEC 60947-2 / rated value 120 kA

Dissipation

Power loss [W] 74 W

Power loss [W] / for rated value of the current / at AC / in hot operating state / per pole 74 W

Current

Tripping residual / rated value / derated current / at 40 Cel 950 A

Diken-export / Let-through energy DE_3NA_4_500_gG_1000

Mechanical Design

Width
• of the enclosure 101.8 mm

Mounting position Any, preferably vertical

Net weight 2 566 g

Environmental conditions

Ambient temperature -5 ... +40 °C
• during storage Air humidity 90% at 20 °C

Environmental category -20 to +50 at 95% relative humidity

Certificates

Reference code
• acc. to DIN EN 61346-2 F
• acc. to DIN EN 81346-2 F

General Product Approval	Declaration of Conformity	Test Certificates	Shipping Approval
--------------------------	---------------------------	-------------------	-------------------



VDE



EG-Konf.

[Special Test Certificate](#)

[Type Test Certificates/Test Report](#)

[Miscellaneous](#)



GL

other

[Environmental Conformations](#)

[Miscellaneous](#)

Further information

Information- and Downloadcenter (Catalogs, Brochures,...)

<http://www.siemens.com/lowvoltage/catalogs>

Industry Mall (Online ordering system)

<https://mall.industry.siemens.com/mall/en/en/Catalog/product?mlfb=3NA3480>

Service&Support (Manuals, Certificates, Characteristics, FAQs,...)

<https://support.industry.siemens.com/cs/ww/en/ps/3NA3480>

Image database (product images, 2D dimension drawings, 3D models, device circuit diagrams, ...)

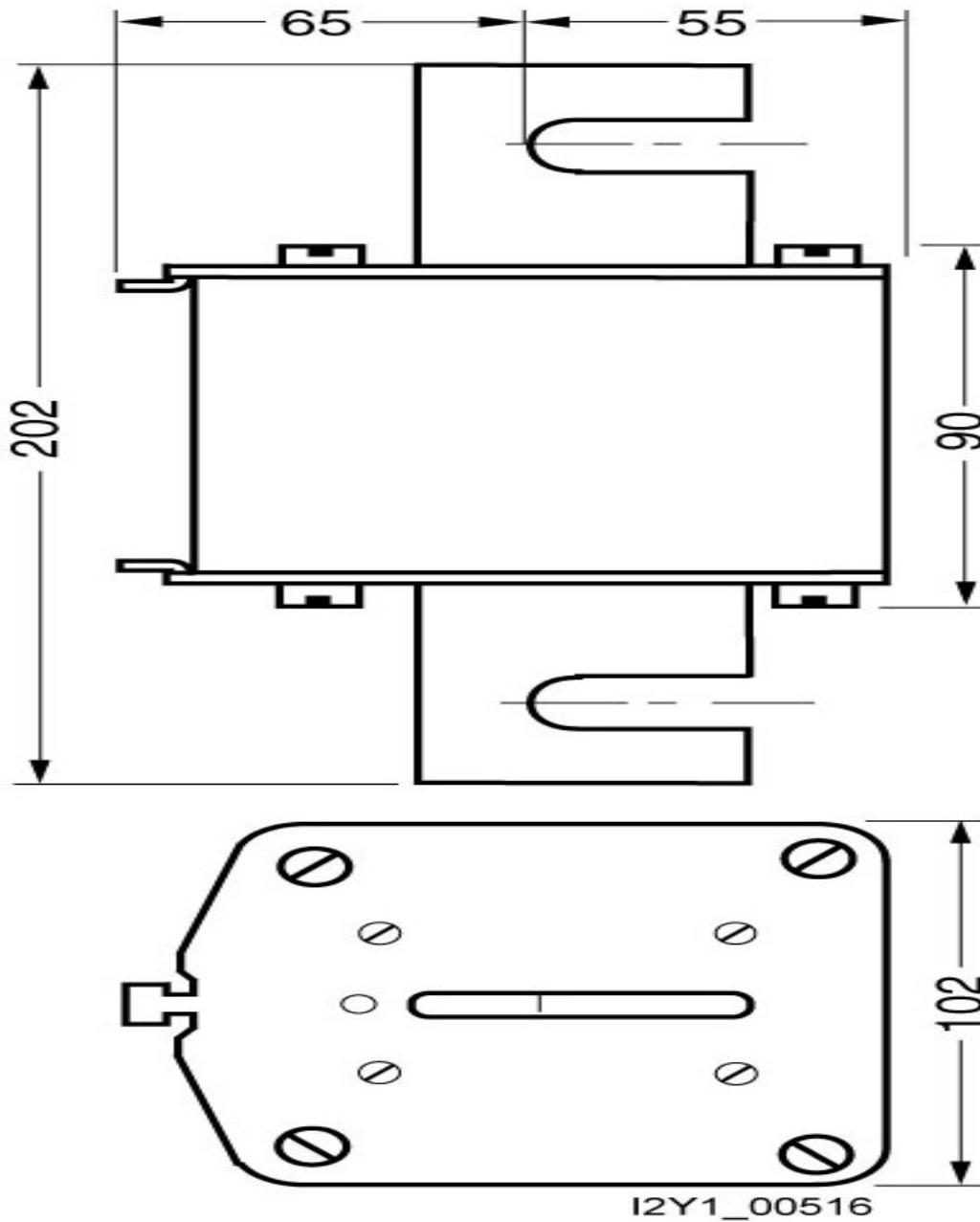
http://www.automation.siemens.com/bilddb/cax_en.aspx?mlfb=3NA3480

CAX-Online-Generator

<http://www.siemens.com/cax>

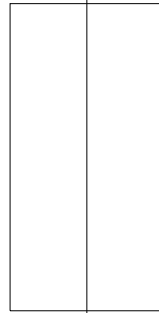
Tender specifications

<http://www.siemens.com/specifications>



1

-F1



2

