

Power contactor, AC-3 115 A, 55 kW / 400 V AC (50-60 Hz) / DC operation 220-240 V UC Auxiliary contacts 2 NO + 2 NC 3-pole, Size S6 with box terminals Drive: conventional screw terminal



Product brand name	SIRIUS
Product designation	Power contactor
Product type designation	3RT1
General technical data	
Size of contactor	S6
Product extension	
• function module for communication	No
• Auxiliary switch	Yes
Surge voltage resistance	
• of main circuit rated value	8 kV
• of auxiliary circuit rated value	6 kV
maximum permissible voltage for safe isolation	
• between coil and main contacts acc. to EN 60947-1	690 V
Protection class IP	
• on the front	IP20; IP20 on the front with cover / box terminal
• of the terminal	IP00
Shock resistance at rectangular impulse	
• at AC	8,5g / 5 ms, 4,2g / 10 ms

<ul style="list-style-type: none"> • at DC 	8,5g / 5 ms, 4,2g / 10 ms
Shock resistance with sine pulse	
<ul style="list-style-type: none"> • at AC 	13,4g / 5 ms, 6,5g / 10 ms
<ul style="list-style-type: none"> • at DC 	13,4g / 5 ms, 6,5g / 10 ms
Mechanical service life (switching cycles)	
<ul style="list-style-type: none"> • of contactor typical 	10 000 000
<ul style="list-style-type: none"> • of the contactor with added electronics-compatible auxiliary switch block typical 	5 000 000
<ul style="list-style-type: none"> • of the contactor with added auxiliary switch block typical 	10 000 000
Reference code acc. to DIN 40719 extended according to IEC 204-2 acc. to IEC 750	K
Reference code acc. to DIN EN 81346-2	Q

Ambient conditions

Installation altitude at height above sea level	
<ul style="list-style-type: none"> • maximum 	2 000 m
Ambient temperature	
<ul style="list-style-type: none"> • during operation 	-25 ... +60 °C
<ul style="list-style-type: none"> • during storage 	-55 ... +80 °C

Main circuit

Number of poles for main current circuit	3
Number of NO contacts for main contacts	3
Operating voltage	
<ul style="list-style-type: none"> • at AC-3 rated value maximum 	1 000 V
Operating current	
<ul style="list-style-type: none"> • at AC-1 at 400 V <ul style="list-style-type: none"> — at ambient temperature 40 °C rated value 	160 A
<ul style="list-style-type: none"> • at AC-1 <ul style="list-style-type: none"> — up to 690 V at ambient temperature 40 °C rated value — up to 690 V at ambient temperature 60 °C rated value — up to 1000 V at ambient temperature 40 °C rated value — up to 1000 V at ambient temperature 60 °C rated value 	160 A 140 A 80 A 80 A
<ul style="list-style-type: none"> • at AC-2 at 400 V rated value 	115 A
<ul style="list-style-type: none"> • at AC-3 <ul style="list-style-type: none"> — at 400 V rated value — at 500 V rated value — at 690 V rated value — at 1000 V rated value 	115 A 115 A 115 A 53 A

• at AC-4 at 400 V rated value	97 A
• at AC-5a up to 690 V rated value	140 A
• at AC-5b up to 400 V rated value	95 A
• at AC-6a	
— up to 230 V for current peak value n=20 rated value	115 A
— up to 400 V for current peak value n=20 rated value	115 A
— up to 500 V for current peak value n=20 rated value	115 A
— up to 690 V for current peak value n=20 rated value	115 A
— up to 1000 V for current peak value n=20 rated value	46.5 A
• at AC-6a	
— up to 230 V for current peak value n=30 rated value	90 A
— up to 400 V for current peak value n=30 rated value	90 A
— up to 500 V for current peak value n=30 rated value	90 A
— up to 690 V for current peak value n=30 rated value	90 A
— up to 1000 V for current peak value n=30 rated value	46.5 A
Minimum cross-section in main circuit	
• at maximum AC-1 rated value	70 mm ²
Operating current for approx. 200000 operating cycles at AC-4	
• at 400 V rated value	54 A
• at 690 V rated value	48 A
Operating current	
• at 1 current path at DC-1	
— at 24 V rated value	160 A
— at 110 V rated value	18 A
— at 220 V rated value	3.4 A
— at 440 V rated value	0.8 A
— at 600 V rated value	0.5 A
• with 2 current paths in series at DC-1	
— at 24 V rated value	160 A
— at 110 V rated value	160 A
— at 220 V rated value	20 A
— at 440 V rated value	3.2 A

— at 600 V rated value	1.6 A
• with 3 current paths in series at DC-1	
— at 24 V rated value	160 A
— at 110 V rated value	160 A
— at 220 V rated value	160 A
— at 440 V rated value	11.5 A
— at 600 V rated value	4 A
Operating current	
• at 1 current path at DC-3 at DC-5	
— at 24 V rated value	160 A
— at 110 V rated value	2.5 A
— at 220 V rated value	0.6 A
— at 440 V rated value	0.17 A
— at 600 V rated value	0.12 A
• with 2 current paths in series at DC-3 at DC-5	
— at 24 V rated value	160 A
— at 110 V rated value	160 A
— at 220 V rated value	2.5 A
— at 440 V rated value	0.65 A
— at 600 V rated value	0.37 A
• with 3 current paths in series at DC-3 at DC-5	
— at 24 V rated value	160 A
— at 110 V rated value	160 A
— at 220 V rated value	160 A
— at 440 V rated value	1.4 A
— at 600 V rated value	0.75 A
Operating power	
• at AC-1	
— at 230 V at 60 °C rated value	53 kW
— at 400 V rated value	92 kW
— at 400 V at 60 °C rated value	92 kW
— at 690 V rated value	159 kW
— at 690 V at 60 °C rated value	159 kW
— at 1000 V at 60 °C rated value	131 kW
• at AC-2 at 400 V rated value	55 kW
• at AC-3	
— at 230 V rated value	37 kW
— at 400 V rated value	55 kW
— at 500 V rated value	75 kW
— at 690 V rated value	110 kW
— at 1000 V rated value	75 kW

Operating power for approx. 200000 operating cycles at AC-4	
<ul style="list-style-type: none"> • at 400 V rated value • at 690 V rated value 	<p>29 kW</p> <p>48 kW</p>
Thermal short-time current limited to 10 s	1 100 A
Power loss [W] at AC-3 at 400 V for rated value of the operating current per conductor	7 W
No-load switching frequency	
<ul style="list-style-type: none"> • at AC • at DC 	<p>2 000 1/h</p> <p>2 000 1/h</p>
Operating frequency	
<ul style="list-style-type: none"> • at AC-1 maximum • at AC-2 maximum • at AC-3 maximum • at AC-4 maximum 	<p>800 1/h</p> <p>400 1/h</p> <p>1 000 1/h</p> <p>130 1/h</p>

Control circuit/ Control	
Type of voltage of the control supply voltage	AC/DC
Control supply voltage at AC	
<ul style="list-style-type: none"> • at 50 Hz rated value • at 60 Hz rated value 	<p>220 ... 240 V</p> <p>220 ... 240 V</p>
Control supply voltage at DC	
<ul style="list-style-type: none"> • rated value 	220 ... 240 V
Operating range factor control supply voltage rated value of magnet coil at DC	
<ul style="list-style-type: none"> • initial value • Full-scale value 	<p>0.8</p> <p>1.1</p>
Operating range factor control supply voltage rated value of magnet coil at AC	
<ul style="list-style-type: none"> • at 50 Hz • at 60 Hz 	<p>0.8 ... 1.1</p> <p>0.8 ... 1.1</p>
Design of the surge suppressor	with varistor
Apparent pick-up power of magnet coil at AC	
<ul style="list-style-type: none"> • at 50 Hz 	300 V·A
Inductive power factor with closing power of the coil	
<ul style="list-style-type: none"> • at 50 Hz 	0.9
Apparent holding power of magnet coil at AC	
<ul style="list-style-type: none"> • at 50 Hz 	5.8 V·A
Inductive power factor with the holding power of the coil	
<ul style="list-style-type: none"> • at 50 Hz 	0.8
Closing power of magnet coil at DC	360 W
Holding power of magnet coil at DC	5.2 W
Closing delay	

<ul style="list-style-type: none"> • at AC • at DC 	20 ... 95 ms 20 ... 95 ms
Opening delay	
<ul style="list-style-type: none"> • at AC • at DC 	40 ... 60 ms 40 ... 60 ms
Arcing time	10 ... 15 ms
Control version of the switch operating mechanism	Standard A1 - A2

Auxiliary circuit

Number of NC contacts for auxiliary contacts	
<ul style="list-style-type: none"> • instantaneous contact 	2
Number of NO contacts for auxiliary contacts	
<ul style="list-style-type: none"> • instantaneous contact 	2
Operating current at AC-12 maximum	10 A
Operating current at AC-15	
<ul style="list-style-type: none"> • at 230 V rated value • at 400 V rated value • at 500 V rated value • at 690 V rated value 	6 A 3 A 2 A 1 A
Operating current at DC-12	
<ul style="list-style-type: none"> • at 24 V rated value • at 48 V rated value • at 60 V rated value • at 110 V rated value • at 125 V rated value • at 220 V rated value • at 600 V rated value 	10 A 6 A 6 A 3 A 2 A 1 A 0.15 A
Operating current at DC-13	
<ul style="list-style-type: none"> • at 24 V rated value • at 48 V rated value • at 60 V rated value • at 110 V rated value • at 125 V rated value • at 220 V rated value • at 600 V rated value 	10 A 2 A 2 A 1 A 0.9 A 0.3 A 0.1 A
Contact reliability of auxiliary contacts	1 faulty switching per 100 million (17 V, 1 mA)

UL/CSA ratings

Full-load current (FLA) for three-phase AC motor	
<ul style="list-style-type: none"> • at 480 V rated value • at 600 V rated value 	124 A 125 A
Yielded mechanical performance [hp]	
<ul style="list-style-type: none"> • for single-phase AC motor 	

— at 230 V rated value	25 hp
• for three-phase AC motor	
— at 200/208 V rated value	40 hp
— at 220/230 V rated value	50 hp
— at 460/480 V rated value	100 hp
— at 575/600 V rated value	125 hp
Contact rating of auxiliary contacts according to UL	A600 / Q600

Short-circuit protection

Design of the fuse link	
• for short-circuit protection of the main circuit	
— with type of coordination 1 required	gG: 355 A (690 V, 100 kA)
— with type of assignment 2 required	gG: 315 A (690 V, 100 kA), aM: 200 A (690 V, 50 kA), BS88: 250 A (415 V, 50 kA)
• for short-circuit protection of the auxiliary switch required	gG: 10 A (500 V, 1 kA)

Installation/ mounting/ dimensions

Mounting position	with vertical mounting surface +/-90° rotatable, with vertical mounting surface +/- 22.5° tiltable to the front and back
Mounting type	screw fixing
• Side-by-side mounting	Yes
Height	172 mm
Width	120 mm
Depth	170 mm
Required spacing	
• with side-by-side mounting	
— forwards	20 mm
— upwards	10 mm
— downwards	10 mm
— at the side	0 mm
• for grounded parts	
— forwards	20 mm
— upwards	10 mm
— at the side	10 mm
— downwards	10 mm
• for live parts	
— forwards	20 mm
— upwards	10 mm
— downwards	10 mm
— at the side	10 mm

Connections/ Terminals

Type of electrical connection	
--------------------------------------	--

<ul style="list-style-type: none"> • for main current circuit • for auxiliary and control current circuit • at contactor for auxiliary contacts • of magnet coil 	<p>box terminal</p> <p>screw-type terminals</p> <p>Screw-type terminals</p> <p>Screw-type terminals</p>
<p>Type of connectable conductor cross-sections</p> <ul style="list-style-type: none"> • for main contacts <ul style="list-style-type: none"> — stranded — finely stranded with core end processing — finely stranded without core end processing • at AWG conductors for main contacts 	<p>max. 2x 70 mm²</p> <p>max. 1x 50, 1x 70 mm²</p> <p>max. 1x 50, 1x 70 mm²</p> <p>2x 1/0</p>
<p>Connectable conductor cross-section for main contacts</p> <ul style="list-style-type: none"> • stranded • finely stranded with core end processing • finely stranded without core end processing 	<p>16 ... 70 mm²</p> <p>16 ... 70 mm²</p> <p>16 ... 70 mm²</p>
<p>Connectable conductor cross-section for auxiliary contacts</p> <ul style="list-style-type: none"> • single or multi-stranded • finely stranded with core end processing 	<p>0.5 ... 4 mm²</p> <p>0.5 ... 2.5 mm²</p>
<p>Type of connectable conductor cross-sections</p> <ul style="list-style-type: none"> • for auxiliary contacts <ul style="list-style-type: none"> — solid — single or multi-stranded — finely stranded with core end processing • at AWG conductors for auxiliary contacts 	<p>2x (0.5 ... 1.5 mm²), 2x (0.75 ... 2.5 mm²), max. 2x (0.75 ... 4 mm²)</p> <p>2x (0,5 ... 1,5 mm²), 2x (0,75 ... 2,5 mm²), max. 2x (0,75 ... 4 mm²)</p> <p>2x (0.5 ... 1.5 mm²), 2x (0.75 ... 2.5 mm²)</p> <p>2x (20 ... 16), 2x (18 ... 14), 1x 12</p>
<p>AWG number as coded connectable conductor cross section</p> <ul style="list-style-type: none"> • for auxiliary contacts 	<p>18 ... 14</p>

Safety related data

<p>B10 value</p> <ul style="list-style-type: none"> • with high demand rate acc. to SN 31920 	<p>1 000 000</p>
<p>Product function</p> <ul style="list-style-type: none"> • Mirror contact acc. to IEC 60947-4-1 • positively driven operation acc. to IEC 60947-5-1 	<p>Yes</p> <p>No</p>
<p>Protection against electrical shock</p>	<p>finger-safe when touched vertically from front acc. to IEC 60529</p>

Certificates/ approvals

General Product Approval	Functional Safety/Safety of Machinery	Declaration of Conformity
--------------------------	---------------------------------------	---------------------------



[Type Examination Certificate](#)



Declaration of Conformity	Test Certificates	Marine / Shipping
---------------------------	-------------------	-------------------

[Miscellaneous](#)

[Type Test Certificates/Test Report](#)

[Special Test Certificate](#)



other	Railway
-------	---------

[Confirmation](#)

[Miscellaneous](#)

[Special Test Certificate](#)

Further information

Information- and Downloadcenter (Catalogs, Brochures,...)

www.siemens.com/sirius/catalogs

Industry Mall (Online ordering system)

<https://mall.industry.siemens.com/mall/en/en/Catalog/product?mlfb=3RT1054-1AP36>

Cax online generator

<http://support.automation.siemens.com/WW/CAXorder/default.aspx?lang=en&mlfb=3RT1054-1AP36>

Service&Support (Manuals, Certificates, Characteristics, FAQs,...)

<https://support.industry.siemens.com/cs/ww/en/ps/3RT1054-1AP36>

Image database (product images, 2D dimension drawings, 3D models, device circuit diagrams, EPLAN macros, ...)

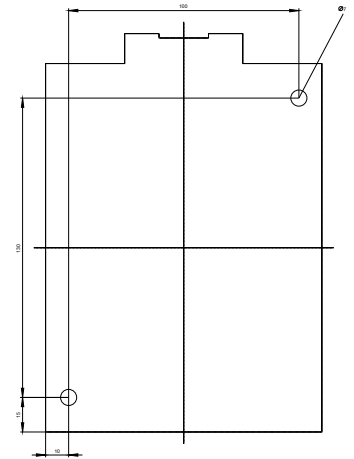
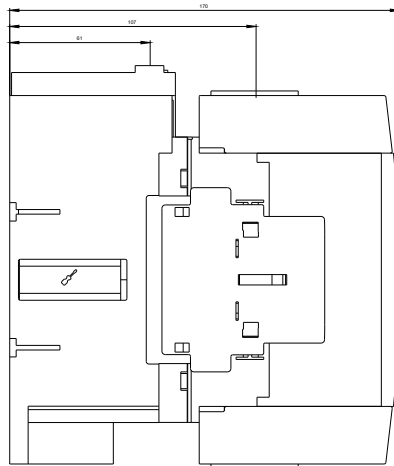
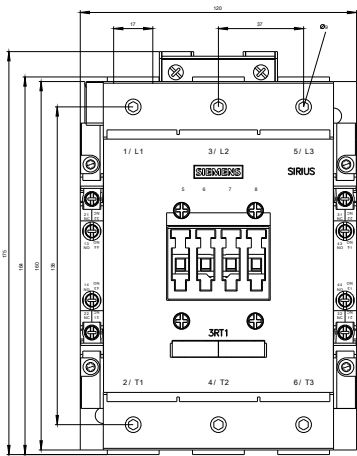
http://www.automation.siemens.com/bilddb/cax_de.aspx?mlfb=3RT1054-1AP36&lang=en

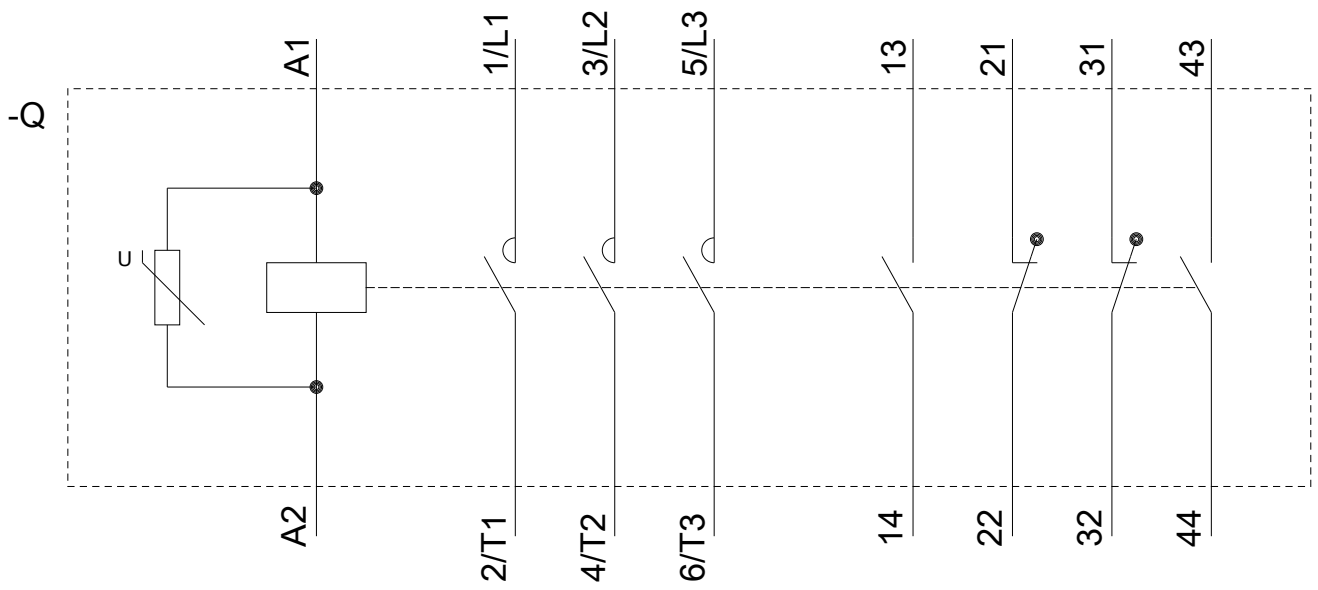
Characteristic: Tripping characteristics, I²t, Let-through current

<https://support.industry.siemens.com/cs/ww/en/ps/3RT1054-1AP36/char>

Further characteristics (e.g. electrical endurance, switching frequency)

<http://www.automation.siemens.com/bilddb/index.aspx?view=Search&mlfb=3RT1054-1AP36&objecttype=14&gridview=view1>





last modified:

08/01/2019