

Contactor, AC-3, 18.5 kW / 400 V, 1 NO + 1 NC, 110 V AC, 50 Hz, 3-pole, Size S0 screw terminal



Product brand name	SIRIUS
Product designation	Power contactor
Product type designation	3RT2
General technical data	
Size of contactor	S0
Product extension	
<ul style="list-style-type: none"> function module for communication 	No
<ul style="list-style-type: none"> Auxiliary switch 	Yes
Surge voltage resistance	
<ul style="list-style-type: none"> of main circuit rated value 	6 kV
<ul style="list-style-type: none"> of auxiliary circuit rated value 	6 kV
maximum permissible voltage for safe isolation	
<ul style="list-style-type: none"> between coil and main contacts acc. to EN 60947-1 	400 V
Protection class IP	
<ul style="list-style-type: none"> on the front 	IP20
<ul style="list-style-type: none"> of the terminal 	IP20
Shock resistance at rectangular impulse	
<ul style="list-style-type: none"> at AC 	8,3g / 5 ms, 5,3g / 10 ms

Shock resistance with sine pulse	
• at AC	13,5g / 5 ms, 8,3g / 10 ms
Mechanical service life (switching cycles)	
• of contactor typical	10 000 000
• of the contactor with added electronics-compatible auxiliary switch block typical	5 000 000
• of the contactor with added auxiliary switch block typical	10 000 000
Reference code acc. to DIN 40719 extended according to IEC 204-2 acc. to IEC 750	K
Reference code acc. to DIN EN 81346-2	Q

Ambient conditions

Installation altitude at height above sea level	
• maximum	2 000 m
Ambient temperature	
• during operation	-25 ... +60 °C
• during storage	-55 ... +80 °C

Main circuit

Number of poles for main current circuit	3
Number of NO contacts for main contacts	3
Operating voltage	
• at AC-3 rated value maximum	690 V
Operating current	
• at AC-1 at 400 V	
— at ambient temperature 40 °C rated value	50 A
• at AC-1	
— up to 690 V at ambient temperature 40 °C rated value	50 A
— up to 690 V at ambient temperature 60 °C rated value	42 A
• at AC-2 at 400 V rated value	38 A
• at AC-3	
— at 400 V rated value	38 A
— at 500 V rated value	32 A
— at 690 V rated value	21 A
• at AC-4 at 400 V rated value	22 A
• at AC-5a up to 690 V rated value	44 A
• at AC-5b up to 400 V rated value	31.5 A
• at AC-6a	
— up to 230 V for current peak value n=20 rated value	30.8 A

— up to 400 V for current peak value n=20 rated value	30.8 A
— up to 500 V for current peak value n=20 rated value	30.8 A
— up to 690 V for current peak value n=20 rated value	21 A
• at AC-6a	
— up to 230 V for current peak value n=30 rated value	20.5 A
— up to 400 V for current peak value n=30 rated value	20.5 A
— up to 500 V for current peak value n=30 rated value	21.4 A
— up to 690 V for current peak value n=30 rated value	21 A
Minimum cross-section in main circuit	
• at maximum AC-1 rated value	10 mm ²
Operating current for approx. 200000 operating cycles at AC-4	
• at 400 V rated value	12 A
• at 690 V rated value	12 A
Operating current	
• at 1 current path at DC-1	
— at 24 V rated value	35 A
— at 110 V rated value	4.5 A
— at 220 V rated value	1 A
— at 440 V rated value	0.4 A
— at 600 V rated value	0.25 A
• with 2 current paths in series at DC-1	
— at 24 V rated value	35 A
— at 110 V rated value	35 A
— at 220 V rated value	5 A
— at 440 V rated value	1 A
— at 600 V rated value	0.8 A
• with 3 current paths in series at DC-1	
— at 24 V rated value	35 A
— at 110 V rated value	35 A
— at 220 V rated value	35 A
— at 440 V rated value	2.9 A
— at 600 V rated value	1.4 A
Operating current	
• at 1 current path at DC-3 at DC-5	
— at 24 V rated value	20 A

— at 110 V rated value	2.5 A
— at 220 V rated value	1 A
— at 440 V rated value	0.09 A
— at 600 V rated value	0.06 A
• with 2 current paths in series at DC-3 at DC-5	
— at 24 V rated value	35 A
— at 110 V rated value	15 A
— at 220 V rated value	3 A
— at 440 V rated value	0.27 A
— at 600 V rated value	0.16 A
• with 3 current paths in series at DC-3 at DC-5	
— at 24 V rated value	35 A
— at 110 V rated value	35 A
— at 220 V rated value	10 A
— at 440 V rated value	0.6 A
— at 600 V rated value	0.6 A
Operating power	
• at AC-1	
— at 230 V rated value	16 kW
— at 230 V at 60 °C rated value	15.5 kW
— at 400 V rated value	28 kW
— at 400 V at 60 °C rated value	27.5 kW
— at 690 V rated value	48 kW
— at 690 V at 60 °C rated value	47.5 kW
• at AC-2 at 400 V rated value	18.5 kW
• at AC-3	
— at 230 V rated value	11 kW
— at 400 V rated value	18.5 kW
— at 500 V rated value	18.5 kW
— at 690 V rated value	18.5 kW
Operating power for approx. 200000 operating cycles at AC-4	
• at 400 V rated value	6 kW
• at 690 V rated value	10.3 kW
Thermal short-time current limited to 10 s	304 A
Power loss [W] at AC-3 at 400 V for rated value of the operating current per conductor	3.8 W
No-load switching frequency	
• at AC	5 000 1/h
Operating frequency	
• at AC-1 maximum	1 000 1/h
• at AC-2 maximum	750 1/h

- at AC-3 maximum
- at AC-4 maximum

750 1/h

250 1/h

Control circuit/ Control

Type of voltage of the control supply voltage	AC
Control supply voltage at AC	
• at 50 Hz rated value	110 V
Operating range factor control supply voltage rated value of magnet coil at AC	
• at 50 Hz	0.8 ... 1.1
Apparent pick-up power of magnet coil at AC	
• at 50 Hz	77 V·A
Inductive power factor with closing power of the coil	
• at 50 Hz	0.82
Apparent holding power of magnet coil at AC	
• at 50 Hz	9.8 V·A
Inductive power factor with the holding power of the coil	
• at 50 Hz	0.25
Closing delay	
• at AC	8 ... 40 ms
Opening delay	
• at AC	4 ... 16 ms
Arcing time	10 ... 10 ms
Control version of the switch operating mechanism	Standard A1 - A2

Auxiliary circuit

Number of NC contacts for auxiliary contacts	
• instantaneous contact	1
Number of NO contacts for auxiliary contacts	
• instantaneous contact	1
Operating current at AC-12 maximum	10 A
Operating current at AC-15	
• at 230 V rated value	10 A
• at 400 V rated value	3 A
• at 500 V rated value	2 A
• at 690 V rated value	1 A
Operating current at DC-12	
• at 24 V rated value	10 A
• at 48 V rated value	6 A
• at 60 V rated value	6 A
• at 110 V rated value	3 A
• at 125 V rated value	2 A
• at 220 V rated value	1 A

• at 600 V rated value	0.15 A
Operating current at DC-13	
• at 24 V rated value	10 A
• at 48 V rated value	2 A
• at 60 V rated value	2 A
• at 110 V rated value	1 A
• at 125 V rated value	0.9 A
• at 220 V rated value	0.3 A
• at 600 V rated value	0.1 A
Contact reliability of auxiliary contacts	1 faulty switching per 100 million (17 V, 1 mA)

UL/CSA ratings

Full-load current (FLA) for three-phase AC motor	
• at 480 V rated value	34 A
• at 600 V rated value	27 A
Yielded mechanical performance [hp]	
• for single-phase AC motor	
— at 110/120 V rated value	3 hp
— at 230 V rated value	5 hp
• for three-phase AC motor	
— at 200/208 V rated value	10 hp
— at 220/230 V rated value	10 hp
— at 460/480 V rated value	25 hp
— at 575/600 V rated value	25 hp
Contact rating of auxiliary contacts according to UL	A600 / Q600

Short-circuit protection

Design of the fuse link	
• for short-circuit protection of the main circuit	
— with type of coordination 1 required	gG: 125A (690V,100kA), aM: 50A (690V,100kA), BS88: 125A (415V,80kA)
— with type of assignment 2 required	gG: 50A (690V,100kA), aM: 25A (690V, 100kA), BS88: 50A (415V, 80kA)
• for short-circuit protection of the auxiliary switch required	gG: 10 A (500 V, 1 kA)

Installation/ mounting/ dimensions

Mounting position	+/-180° rotation possible on vertical mounting surface; can be tilted forward and backward by +/- 22.5° on vertical mounting surface
Mounting type	screw and snap-on mounting onto 35 mm standard mounting rail according to DIN EN 60715
• Side-by-side mounting	Yes
Height	85 mm
Width	45 mm

Depth	97 mm
Required spacing	
<ul style="list-style-type: none"> • with side-by-side mounting <ul style="list-style-type: none"> — forwards 10 mm — upwards 10 mm — downwards 10 mm — at the side 0 mm • for grounded parts <ul style="list-style-type: none"> — forwards 10 mm — upwards 10 mm — at the side 6 mm — downwards 10 mm • for live parts <ul style="list-style-type: none"> — forwards 10 mm — upwards 10 mm — downwards 10 mm — at the side 6 mm 	

Connections/ Terminals

Type of electrical connection	
<ul style="list-style-type: none"> • for main current circuit screw-type terminals • for auxiliary and control current circuit screw-type terminals • at contactor for auxiliary contacts Screw-type terminals • of magnet coil Screw-type terminals 	
Type of connectable conductor cross-sections	
<ul style="list-style-type: none"> • for main contacts <ul style="list-style-type: none"> — solid 2x (1 ... 2.5 mm²), 2x (2.5 ... 10 mm²) — single or multi-stranded 2x (1 ... 2,5 mm²), 2x (2,5 ... 10 mm²) — finely stranded with core end processing 2x (1 ... 2.5 mm²), 2x (2.5 ... 6 mm²), 1x 10 mm² • at AWG conductors for main contacts 2x (16 ... 12), 2x (14 ... 8) 	
Connectable conductor cross-section for main contacts	
<ul style="list-style-type: none"> • solid 1 ... 10 mm² • stranded 1 ... 10 mm² • finely stranded with core end processing 1 ... 10 mm² 	
Connectable conductor cross-section for auxiliary contacts	
<ul style="list-style-type: none"> • single or multi-stranded 0.5 ... 2.5 mm² • finely stranded with core end processing 0.5 ... 2.5 mm² 	
Type of connectable conductor cross-sections	
<ul style="list-style-type: none"> • for auxiliary contacts <ul style="list-style-type: none"> — single or multi-stranded 2x (0,5 ... 1,5 mm²), 2x (0,75 ... 2,5 mm²) 	

— finely stranded with core end processing	2x (0.5 ... 1.5 mm ²), 2x (0.75 ... 2.5 mm ²)
• at AWG conductors for auxiliary contacts	2x (20 ... 16), 2x (18 ... 14)
AWG number as coded connectable conductor cross section	
• for main contacts	16 ... 8
• for auxiliary contacts	20 ... 14

Safety related data	
B10 value	
• with high demand rate acc. to SN 31920	1 000 000
Proportion of dangerous failures	
• with low demand rate acc. to SN 31920	40 %
• with high demand rate acc. to SN 31920	73 %
Failure rate [FIT]	
• with low demand rate acc. to SN 31920	100 FIT
Product function	
• Mirror contact acc. to IEC 60947-4-1	Yes
T1 value for proof test interval or service life acc. to IEC 61508	20 y
Protection against electrical shock	finger-safe

Certificates/ approvals

General Product Approval	EMC
--------------------------	-----



[KC](#)



Functional Safety/Safety of Machinery	Declaration of Conformity	Test Certificates	Marine / Shipping
---------------------------------------	---------------------------	-------------------	-------------------

[Type Examination Certificate](#)



[Miscellaneous](#)

[Type Test Certificates/Test Report](#)

[Special Test Certificate](#)



Marine / Shipping



other

[Confirmation](#)



Further information

Information- and Downloadcenter (Catalogs, Brochures,...)

www.siemens.com/sirius/catalogs

Industry Mall (Online ordering system)

<https://mall.industry.siemens.com/mall/en/en/Catalog/product?mlfb=3RT2028-1AF00>

Cax online generator

<http://support.automation.siemens.com/WW/CAXorder/default.aspx?lang=en&mlfb=3RT2028-1AF00>

Service&Support (Manuals, Certificates, Characteristics, FAQs,...)

<https://support.industry.siemens.com/cs/ww/en/ps/3RT2028-1AF00>

Image database (product images, 2D dimension drawings, 3D models, device circuit diagrams, EPLAN macros, ...)

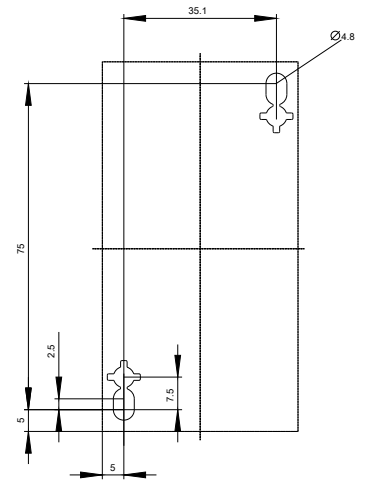
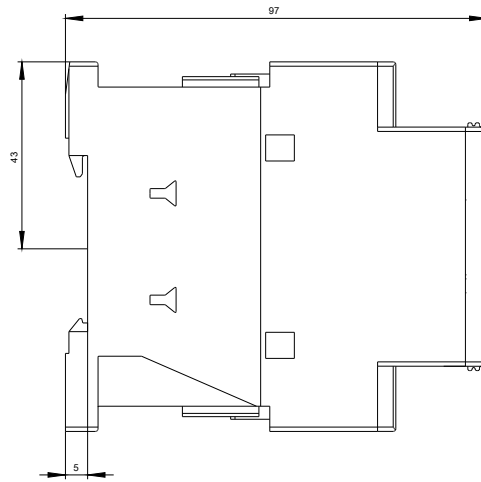
http://www.automation.siemens.com/bilddb/cax_de.aspx?mlfb=3RT2028-1AF00&lang=en

Characteristic: Tripping characteristics, I²t, Let-through current

<https://support.industry.siemens.com/cs/ww/en/ps/3RT2028-1AF00/char>

Further characteristics (e.g. electrical endurance, switching frequency)

<http://www.automation.siemens.com/bilddb/index.aspx?view=Search&mlfb=3RT2028-1AF00&objecttype=14&gridview=view1>







last modified:

08/09/2019