

Separate standard actuator made of die-cast zinc for safety position switch with tumbler 3SE5312/3SE5322 and AS-i 3SF13 und safety position switch with separate actuator 3SE51/3SE52 and AS-i 3SF11/3SF12



| | |
|--------------------------|----------|
| Product brand name | SIRIUS |
| Product designation | actuator |
| Product type designation | 3SE5 |

General technical data

| | |
|---|--------------|
| Shock resistance | |
| • acc. to IEC 60068-2-27 | 30 g / 11 ms |
| Mechanical service life (switching cycles) | |
| • typical | 1 000 000 |
| Reference code acc. to DIN EN 81346-2 | T |
| Reference code acc. to DIN EN 61346-2 | T |
| Active principle | mechanical |

Drive Head

| | |
|-----------------------------------|----------------------------------|
| Design of the operating mechanism | Standard actuator, die cast zinc |
|-----------------------------------|----------------------------------|

Installation/ mounting/ dimensions

| | |
|-------------------|--------------|
| Mounting position | any |
| Mounting type | screw fixing |

Certificates/ approvals

| | | |
|--------------------------|---------------------------------------|---------------------------|
| General Product Approval | Functional Safety/Safety of Machinery | Declaration of Conformity |
|--------------------------|---------------------------------------|---------------------------|



[Type Examination Certificate](#)



[Miscellaneous](#)

| | |
|-------------------|-------|
| Test Certificates | other |
|-------------------|-------|

[Type Test Certificates/Test Report](#)

[Confirmation](#)

Further information

Information- and Downloadcenter (Catalogs, Brochures,...)

www.siemens.com/sirius/catalogs

Industry Mall (Online ordering system)

<https://mall.industry.siemens.com/mall/en/en/Catalog/product?mlfb=3SE5000-0AV01>

Cax online generator

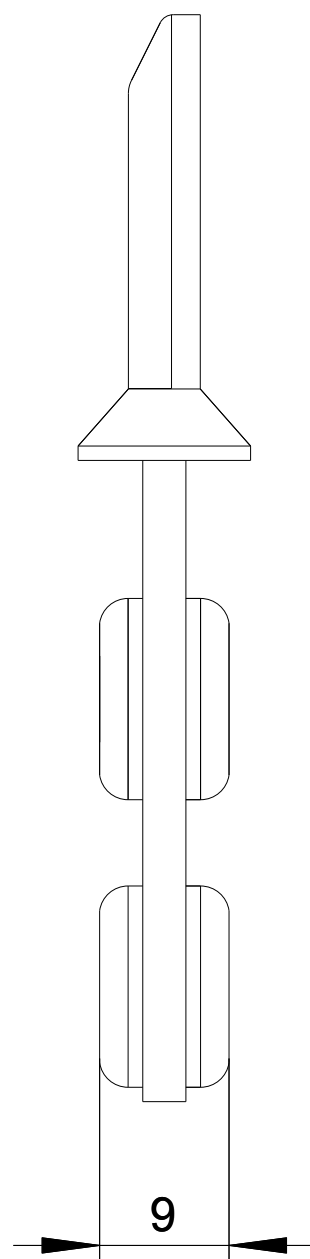
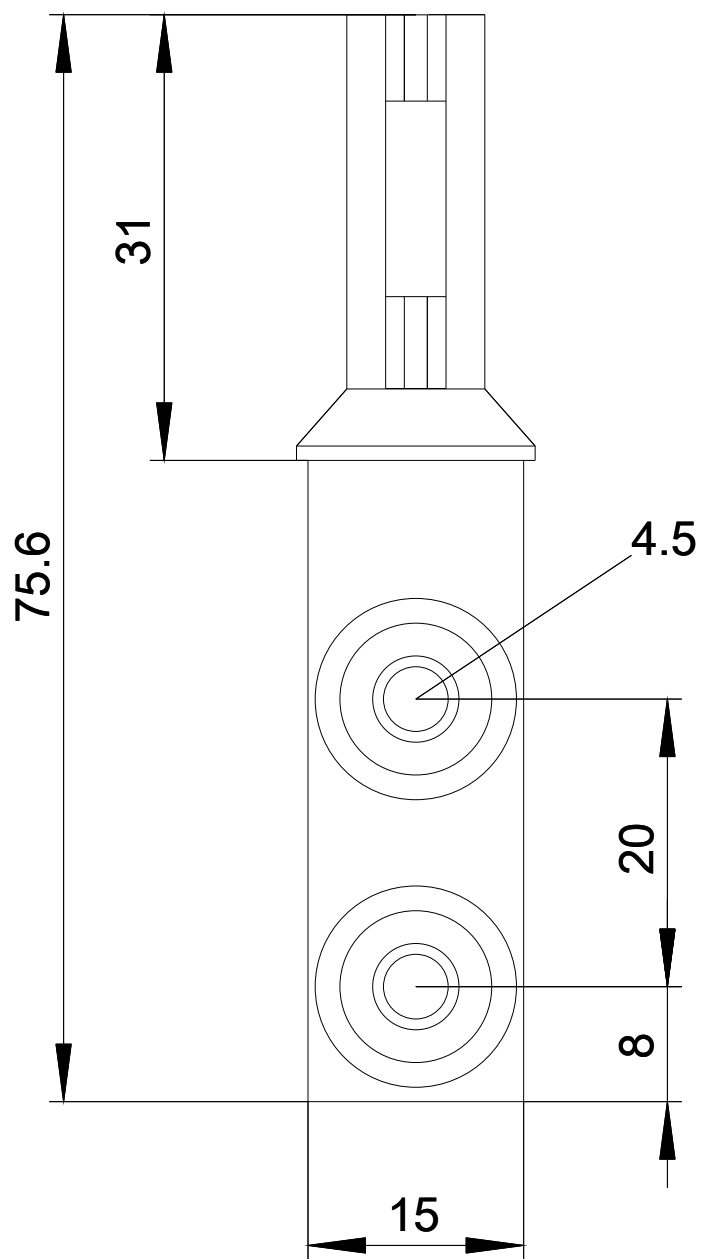
<http://support.automation.siemens.com/WW/CAXorder/default.aspx?lang=en&mlfb=3SE5000-0AV01>

Service&Support (Manuals, Certificates, Characteristics, FAQs,...)

<https://support.industry.siemens.com/cs/ww/en/ps/3SE5000-0AV01>

Image database (product images, 2D dimension drawings, 3D models, device circuit diagrams, EPLAN macros, ...)

http://www.automation.siemens.com/bilddb/cax_de.aspx?mlfb=3SE5000-0AV01&lang=en



last modified:

07/26/2019