

Residual-current transformer for residual current monitoring Bushing  
opening 35 mm Residual current 30 mA...40 A



#### General technical data:

|  |   |
|--|---|
| Product designation  | Residual current transformer for fault current monitoring |
| Product feature Touch protection   | Yes   |
| Type of electrical connection at output  | screw-type terminals                                      |
| Operating voltage rated value maximum  | 690 V   |
| Continuous current per phase maximum   | 85 A  |
| Fault current at input rated value   | 40 A  |
| Surge voltage resistance rated value   | 6 kV  |
| Reference code acc. to DIN EN 81346-2  | B   |
| Reference code acc. to DIN 40719 extended according to IEC 204-2 acc. to IEC 750 | T   |
| Reference code acc. to DIN EN 61346-2  | B   |

#### Connections/ Terminals:

|   |                                   |
|---|-----------------------------------|
| Type of connectable conductor cross-sections  |                                   |
| <ul style="list-style-type: none"> <li>• solid</li> </ul>   | 1x (0.5 ... 2.5 mm <sup>2</sup> ) |
| <ul style="list-style-type: none"> <li>• finely stranded                             <ul style="list-style-type: none"> <li>— with core end processing</li> </ul> </li> </ul> | 1x (0.5 ... 1.5 mm <sup>2</sup> ) |
| <ul style="list-style-type: none"> <li>• at AWG conductors                             <ul style="list-style-type: none"> <li>— solid</li> </ul> </li> </ul>                  | 1x (20 ... 13)                    |



### Ambient conditions:

|  |                |
|--|----------------|
| <b>Ambient temperature</b>                             |                |
| • during transport                                     | -25 ... +60 °C |
| • during operation                                     | -25 ... +60 °C |
| • during storage                                       | -40 ... +85 °C |
| <b>Relative humidity during operation</b>              | 95 %           |
| <b>Installation altitude at height above sea level</b> | 2 000 m        |

### Installation/ mounting/ dimensions:

|   |  |
|---|--|
| <b>Diameter of feed through opening</b>                     | 35 mm                                    |
| <b>Width</b>  | 70 mm                                    |
| <b>Height</b>   | 64 mm                                    |
| <b>Depth</b>  | 75.5 mm                                  |
| <b>Mounting position</b>                                    | standing, on horizontal mounting surface |
| <b>Mounting type</b>  | Screw and rail mounting                  |
| <b>Tightening torque with screw-type terminals</b>          | 0.5 ... 0.6 N·m                          |
| <b>Tightening torque [lbf·in] with screw-type terminals</b> | 4.4 ... 5.3 lbf·in                       |

### Certificates/ approvals:

| General Product Approval   | Declaration of Conformity   | Test Certificates  |
|--|---|--|
| <br>CCC | <br>UL       | <br>EAC |
|  | <br>EG-Konf. | <a href="#">Miscellaneous</a><br><a href="#">Type Test Certificates/Test Report</a>        |

### other

[Confirmation](#)

### Further information

#### Information- and Downloadcenter (Catalogs, Brochures,...)

<http://www.siemens.com/industrial-controls/catalogs>

#### Industry Mall (Online ordering system)

<http://www.siemens.com/industrymall>

#### Cax online generator

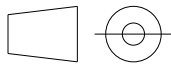
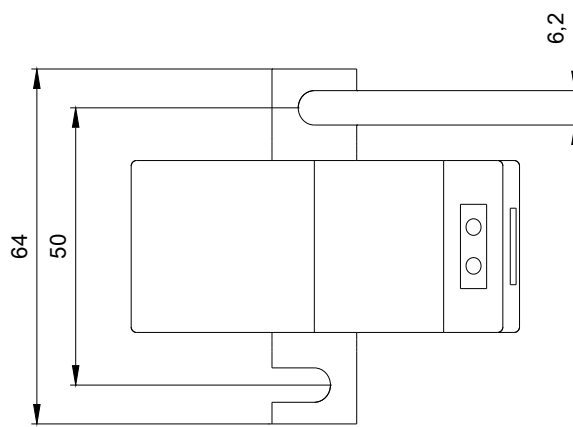
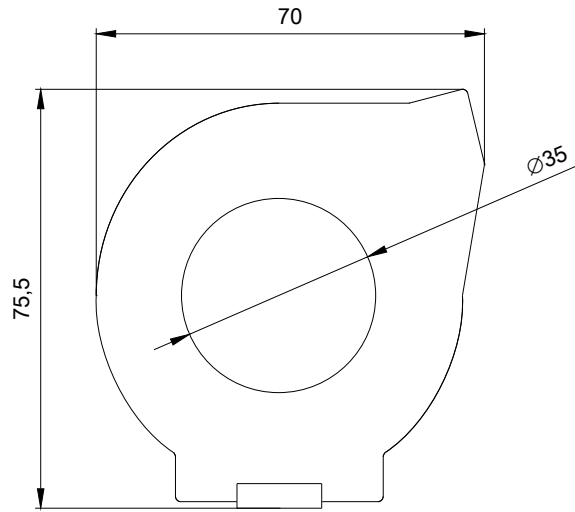
<http://support.automation.siemens.com/WW/CAXorder/default.aspx?lang=en&mlfb=3UL2302-1A>

#### Service&Support (Manuals, Certificates, Characteristics, FAQs,...)

<https://support.industry.siemens.com/cs/ww/en/ps/3UL2302-1A>

#### Image database (product images, 2D dimension drawings, 3D models, device circuit diagrams, EPLAN macros, ...)

[http://www.automation.siemens.com/bilddb/cax\\_de.aspx?mlfb=3UL2302-1A&lang=en](http://www.automation.siemens.com/bilddb/cax_de.aspx?mlfb=3UL2302-1A&lang=en)



W9.4444; 3UL2302-1A\_ALL  
W9.9583;

**-B**



last modified:

07/25/2019