

# HF-Selectalume II for PL-T/C Strain Relief

## HF-S 1/226 PL-T/C II SR 220-240V 50/60Hz

HF-Selectalume II independent version is the most cost-effective, reliable, slim and affordable fluorescent solution, with highly disruptive technology for energy saving, system flexibility and unsurpassed performance. The cost-saving HF-Selectalume II PLTC SR has a robust design which meets all relevant international safety and performance standards. The HF-S II strain relief is optimized mainly for PL-T/C lamps. HF-Selectalume II is intended for use with indoor lighting fixtures such as spotlights, downlights and recessed luminaires, which are largely used in office, retail, industry, hotel, restaurant and other applications. The ballast is primarily designed for Indoor application. For outdoor application, the luminaire should be minimum Classland need to be sufficiently protected against water & dust. The installation should also be guard against any lightening surge or any other necessary electrical protection as deemed in such typical installation & application.

### Product data

Operating and Electrical		Connector Type Output Terminals	
Input Voltage	220 to 240 V		WAGO 250 connector [Suitable for manual wiring]
Line Frequency	50 to 60 Hz		
Input Frequency	50 to 60 Hz		
Earth Leakage Current (Max)	0.5 mA		
Inrush Current Width	0.25 ms		
Inrush Current Peak (Max)	18 A		
Number of Products on MCB (16A Type B) (Nom)	28		
Wiring		Temperature	
Connector Type Input Terminals	WAGO 250 connector [Suitable for manual wiring]	Ambient temperature range	-25 °C to 50 °C
		T-Case Lifetime (Nom)	75 °C
		T-Case Maximum (Max)	75 °C
		Mechanical and Housing	
		Housing	L 125.5x67.8x32.0
		Approval and Application	
		Ingress protection code	IP20 [Finger-protected]

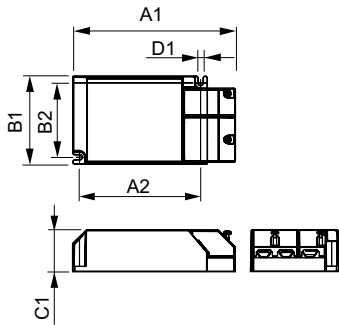
## HF-Selectalume II for PL-T/C Strain Relief

Energy Efficiency Index	A2 BAT
Approval Marks	CE marking ENEC certificate VDE certificate VDE-EMC marking
<b>Product Data</b>	
Full product code	871829116959800
Order product name	HF-S 1/226 PL-T/C II SR 220-240V 50/60Hz
Order code	913713035666

Numerator - Quantity Per Pack	1
Numerator - Packs per outer box	12
Material number (12NC)	913713035666
Full product name	HF-S 1/226 PL-T/C II SR 220-240V 50/60Hz
EAN/UPC - Case	8718291169604



### Dimensional drawing



Product	D1	C1	A1	A2	B1	B2
HF-S 1/226 PL-T/C II SR 220-240V 50/60Hz	4.0 mm	32.0 mm	125.5 mm	93.5 mm	67.8 mm	57.5 mm

